

The logo features a large, metallic, 3D-style letter 'V' on the left. To its right, the word 'RIDE' is written in a bold, red, sans-serif font. Below 'RIDE', the words 'REAR SUSPENSION SYSTEM' are written in a smaller, grey, sans-serif font. A small 'TM' trademark symbol is located at the top right of the 'E' in 'RIDE'.

V **RIDE**TM
REAR SUSPENSION SYSTEM

LUXURY WITHOUT LIMITS.



Driven By You

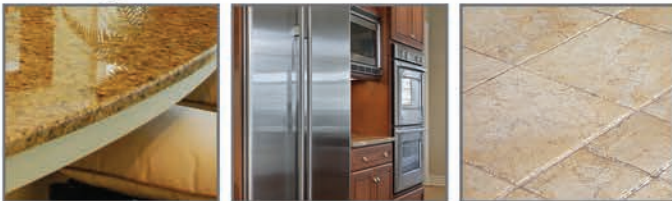
V-RIDE™

REAR SUSPENSION SYSTEM

CONFIDENCE WITHOUT COMPROMISE.

Introducing the V-Ride™ Rear RV Suspension System from FCCC. As the first ever single axle suspension rated at 24,000 pounds, it's designed for today's demanding luxury motorhome owners—who want the ability to carry more gear, the freedom to equip their interiors with premium amenities, and a comfortable, confident driving experience.

 **24,000 lbs.**



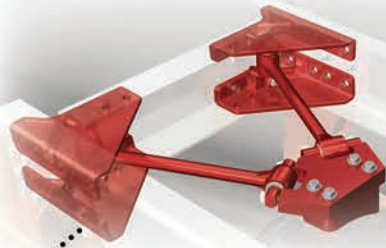
V-Ride is the first ever single axle rear RV suspension rated at 24,000 pounds, giving owners more towing capacity, the ability to carry more gear and more luxury options than any other single-axle rear suspension in the motorhome industry.



QUIK-ALIGN®

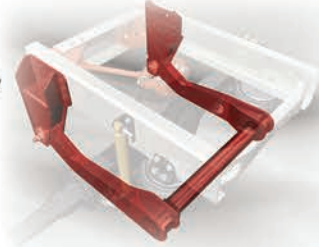
Quik-Align allows for easy axle alignment without the use of shims.





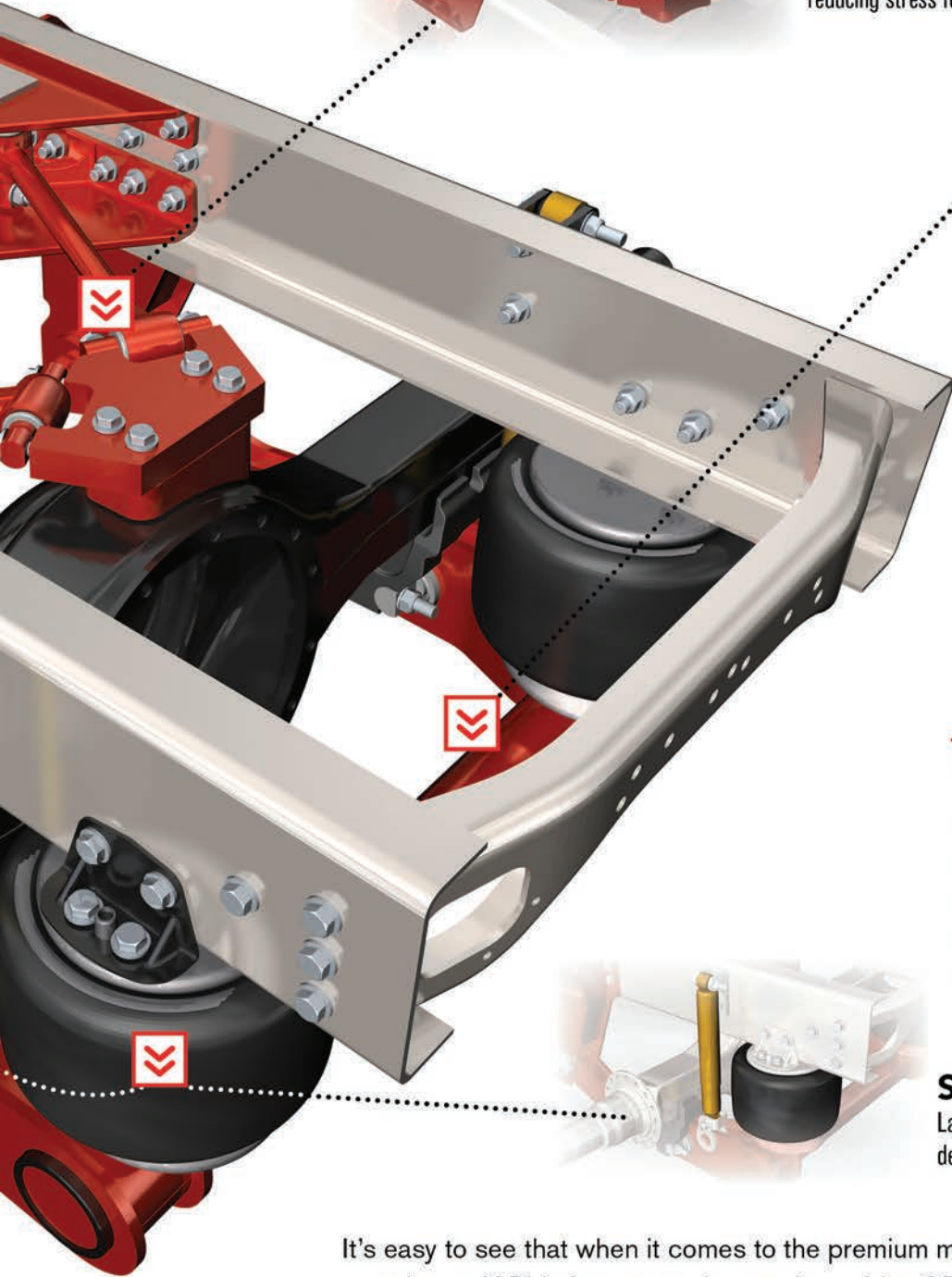
V-ROD CONNECTION

V-rod connection dissipates suspension forces, reducing stress for greater durability and longevity.



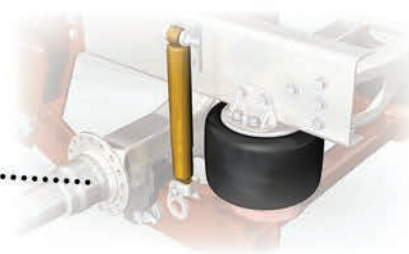
U-SHAPED ASSEMBLY

The transverse beam integrated with the trailing arm form a single-piece U-shaped assembly – enhancing stability at all speeds.



CONSISTENT HANDLING

V-rod connection and U-shaped assembly design result in superior roll stability and more predictable handling in all road conditions, giving motorhome owners a confident driving experience.



SMOOTH RIDE

Large volumetric air springs and premium Sachs shocks deliver the smoothest ride available in a motorhome.

It's easy to see that when it comes to the premium motorhome experience, V-Ride is a game-changer. It provides OEMs more options – and it offers owners the ability to take more of their gear with them. It's the only single-axle rear RV suspension rated at 24,000 pounds.

It's the V-Ride Rear Suspension System from FCCC.

IT'S LUXURY WITHOUT LIMITS.



Driven By You



V-RIDE™

REAR SUSPENSION SYSTEM



Check out our 3D animation for a more
visual explanation of how V-Ride's design works.
Just scan the QR code with your smartphone.

FOR MORE INFORMATION ON V-RIDE, CONTACT FREIGHTLINER CUSTOM CHASSIS CORPORATION.

800.385.4357
freightlinerchassis.com